

# 6N137

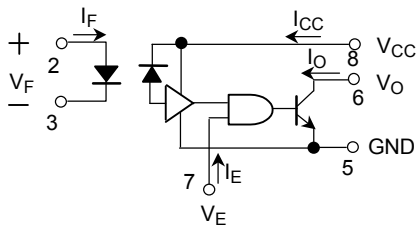
Digital Logic Isolation  
 Tele-Communication  
 Analog Data Equipment Control

The TOSHIBA 6N137 consist of a high emitting diode and a one chip photo IC. This unit is 8-lead DIP package.

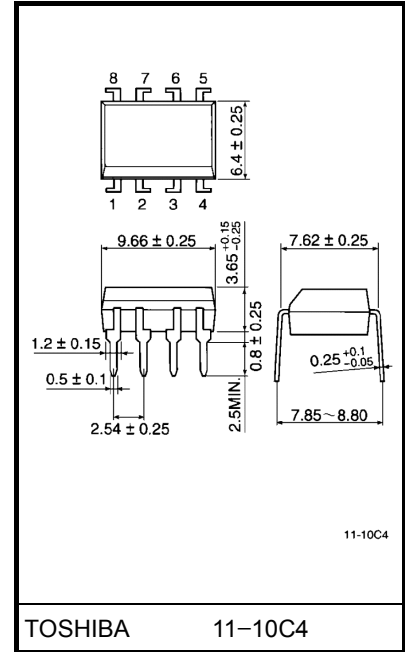
- LSTTL / TTL compatible: 5V Supply
- Ultra high speed: 10MBd
- Guaranteed performance over temperature: 0°C to 70°C
- High isolation voltage: 2500Vrms (min)
- UL recognized: UL1577, file no. E67349

### Truth Table

Input	Enable	Output
H	H	L
L	H	H
H	L	H
L	L	H

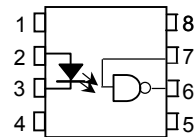


Unit: mm



Weight: 0.54 g (typ.)

### Pin Configurations (top view)



- 1 : N.C.
- 2 : Anode
- 3 : Cathode
- 4 : N.C.
- 5 : GND
- 6 : Output(Open collector)
- 7 : Enable
- 8 : Vcc

Start of commercial production  
 1982/11

## Absolute Maximum Ratings

Characteristic		Symbol	Rating	Unit
LED	Forward current	$I_F$	20	mA
	Pulse forward current (Note 1)	$I_{FP}$	40	mA
	Reverse voltage	$V_R$	5	V
Detector	Output current	$I_O$	50	mA
	Output voltage	$V_O$	7	V
	Supply voltage (1 minute maximum)	$V_{CC}$	7	V
	Enable input voltage (not to exceed $V_{CC}$ by more than 500mV)	$V_{EH}$	5.5	V
	Output collector power dissipation	$P_O$	85	mW
Operating temperature range		$T_{opr}$	0 to 70	°C
Storage temperature range		$T_{stg}$	-55 to 125	°C
Lead solder temperature (10 s) (Note 2)		$T_{sol}$	260	°C

Note: Using continuously under heavy loads (e.g. the application of high temperature/current/voltage and the significant change in temperature, etc.) may cause this product to decrease in the reliability significantly even if the operating conditions (i.e. operating temperature/current/voltage, etc.) are within the absolute maximum ratings and the operating ranges.

Please design the appropriate reliability upon reviewing the Toshiba Semiconductor Reliability Handbook ("Handling Precautions"/"Derating Concept and Methods") and individual reliability data (i.e. reliability test report and estimated failure rate, etc.).

(Note 1) 50% duty cycle, 1ms pulse width.

(Note 2) Soldering portion of lead: Up to 2mm from the body of the device.

## Recommended Operating Conditions

Characteristic	Symbol	Min	Max	Unit
Input current, low level each channel	$I_{FL}$	0	250	$\mu$ A
Input current, high level each channel	$I_{FH}$	7	20	mA
High level enable voltage	$V_{EH}$	2.0	$V_{CC}$	V
Low level enable voltage (output high)	$V_{EL}$	0	0.8	V
Supply voltage, output*	$V_{CC}$	4.5	5.5	V
Fan out (TTL load)	N	—	8	—
Operating temperature	$T_a$	0	70	°C

Note: Recommended operating conditions are given as a design guideline to obtain expected performance of the device. Additionally, each item is an independent guideline respectively. In developing designs using this product, please confirm specified characteristics shown in this document.

\*This item denotes operating ranges, not meaning of recommended operating conditions.

## Precaution

Please be careful of the followings.

A ceramic capacitor (0.1 $\mu$ F) should be connected from pin 8 to pin 5 to stabilize the operation of the high gain linear amplifier. Failure to provide the bypassing may impair the switching property. The total lead length between capacitor and coupler should not exceed 1cm.

## Electrical Characteristics Over Recommended Temperature ( $T_a = 0\sim 70^\circ\text{C}$ unless otherwise noted)

Characteristic	Symbol	Test Condition	Min	(**)Typ.	Max	Unit
High level output current	$I_{OH}$	$V_{CC}=5.5V, V_O=5.5V$ $I_F=250\mu A, V_E=2.0V$	—	1	250	$\mu A$
Low level output voltage	$V_{OL}$	$V_{CC}=5.5V, I_F=5mA$ $V_{EH}=2.0V$ $I_{OL}(\text{sinking})=13mA$	—	0.4	0.6	V
High level enable current	$I_{EH}$	$V_{CC}=5.5V, V_E=2.0V$	—	-1.0	—	mA
Low level enable current	$I_{EL}$	$V_{CC}=5.5V, V_E=0.5V$	—	-1.6	-2.0	mA
High level supply current	$I_{CCH}$	$V_{CC}=5.5V, I_F=0, V_E=0.5V$	—	7	15	mA
Low level supply current	$I_{CCL}$	$V_{CC}=5.5V, I_F=10mA, V_E=0.5V$	—	12	18	mA
Resistance (input-output) (Note 3)	$R_{I-O}$	$V_{I-O}=500V, T_a=25^\circ\text{C}$ R.H. $\leq 60\%$	—	$10^{12}$	—	$\Omega$
Capacitance (input-output) (Note 3)	$C_{I-O}$	$f=1\text{MHz}, T_a=25^\circ\text{C}$	—	0.6	—	pF
Input forward voltage	$V_F$	$I_F=10mA, T_a=25^\circ\text{C}$	—	1.65	1.75	V
Input reverse breakdown voltage	$BV_R$	$I_R=10\mu A, T_a=25^\circ\text{C}$	5	—	—	V
Input capacitance	$C_{IN}$	$V_F=0, f=1\text{MHz}$	—	45	—	pF
Current transfer ratio	CTR	$I_F=5.0mA, R_L=100\Omega$	—	1000	—	%

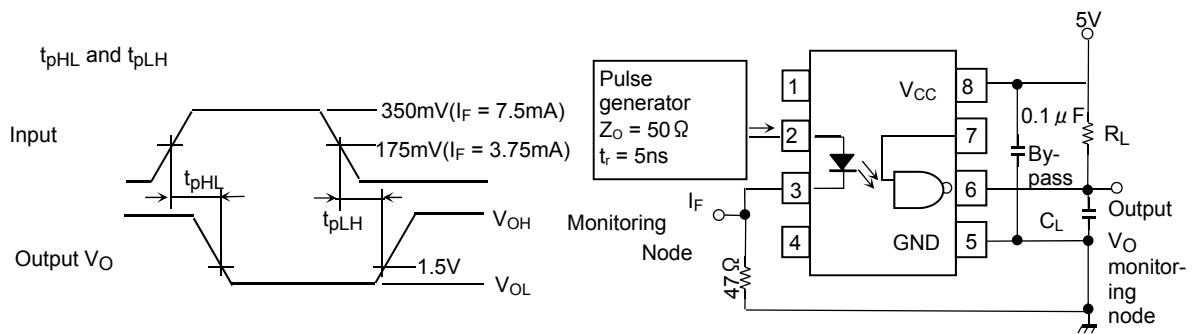
(\*\*) All typical values are at  $V_{CC}=5V, T_a=25^\circ\text{C}$

(Note 3) Pins 1, 2, 3 and 4 shorted together and pins 5, 6, 7 and 8 shorted together.

## Switching Characteristics (Ta = 25°C, Vcc = 5V)

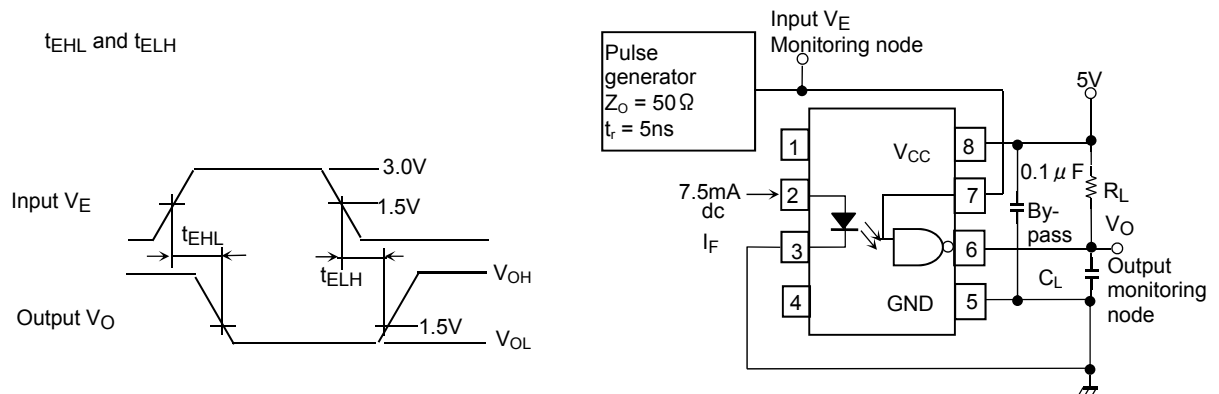
Characteristic	Symbol	Test Circuit	Test Condition	Min	Typ.	Max	Unit
Propagation delay time to high output level	$t_{pLH}$	1	$R_L=350\Omega$ , $C_L=15pF$ $I_F=7.5mA$	—	60	75	ns
Propagation delay time to low output level	$t_{pHL}$	1	$R_L=350\Omega$ , $C_L=15pF$ $I_F=7.5mA$	—	60	75	ns
Output rise–fall time (10–90%)	$t_r$ , $t_f$	—	$R_L=350\Omega$ , $C_L=15pF$ $I_F=7.5mA$	—	30	—	ns
Propagation delay time of enable from $V_{EH}$ to $V_{EL}$	$t_{ELH}$	2	$R_L=350\Omega$ , $C_L=15pF$ $I_F=7.5mA$ $V_{EH}=3.0V$ $V_{EL}=0.5V$	—	25	—	ns
Propagation delay time of enable from $V_{EL}$ to $V_{EH}$	$t_{EHL}$	2	$R_L=350\Omega$ , $C_L=15pF$ $I_F=7.5mA$ $V_{EH}=3.0V$ $V_{EL}=0.5V$	—	25	—	ns
Common mode transient immunity at logic high output level	$CM_H$	3	$V_{CM}=10V$ $R_L=350\Omega$ $V_{O(min)}=2V$ $I_F=0mA$	—	200	—	V / $\mu s$
Common mode transient Immunity at logic low output level	$CM_L$	3	$V_{CM}=10V$ $R_L=350\Omega$ $V_{O(max)}=0.8V$ $I_F=5mA$	—	-500	—	V / $\mu s$

**Test Circuit 1.**



·  $C_L$  is approximately 15pF which includes probe and stray wiring capacitance.

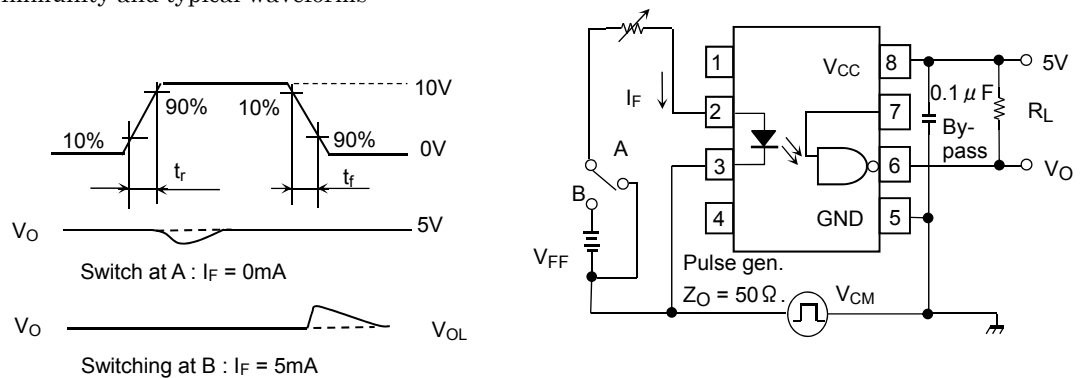
**Test Circuit 2.**

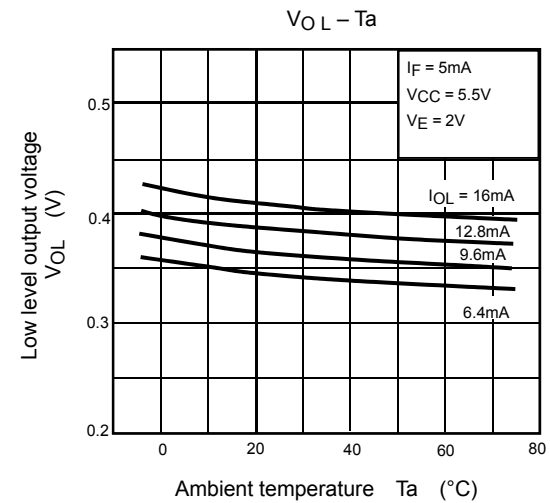
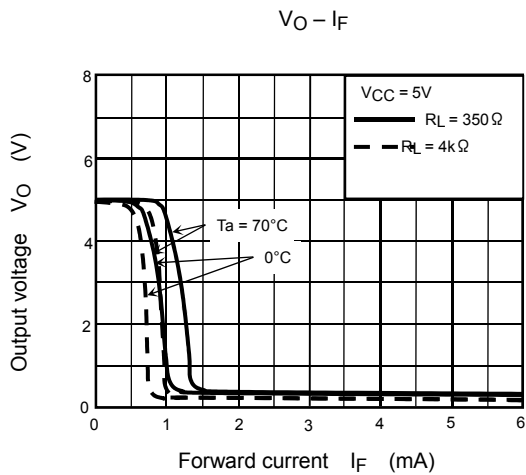
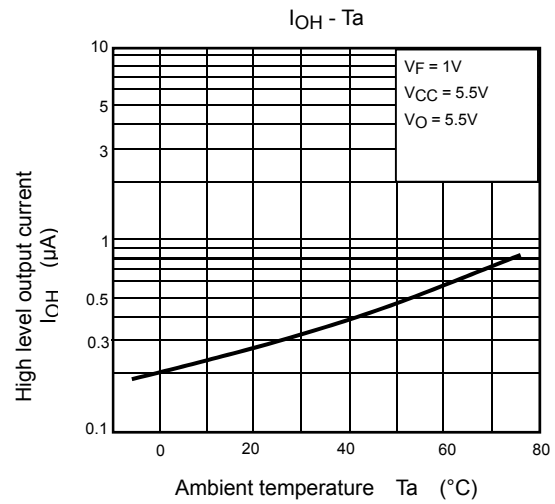
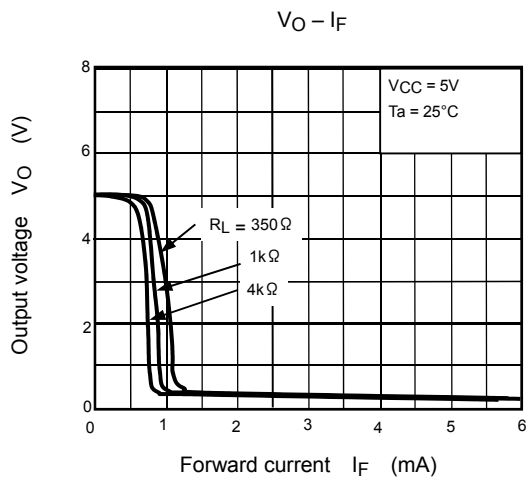
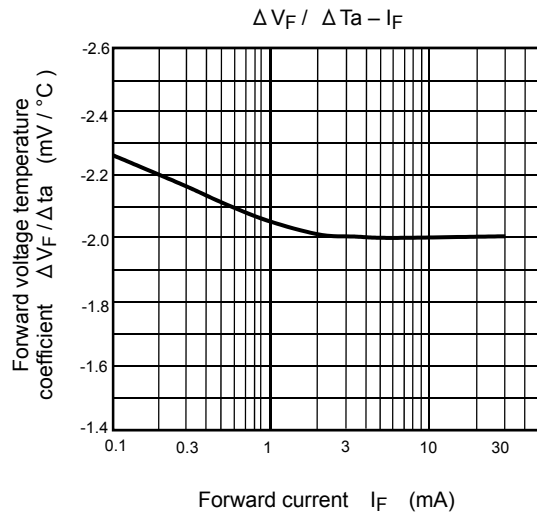
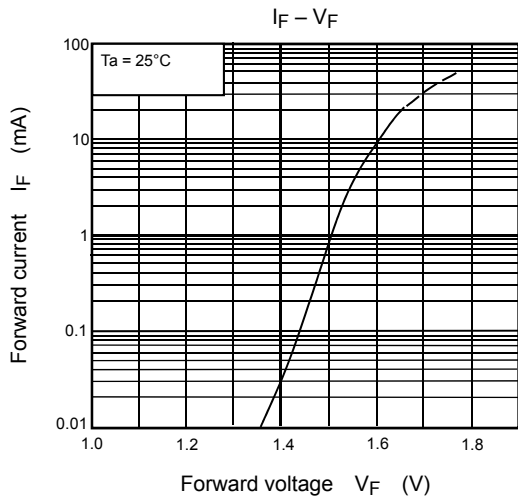


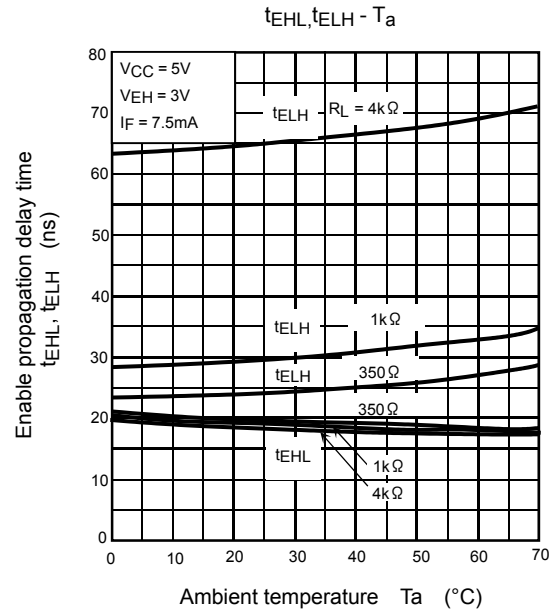
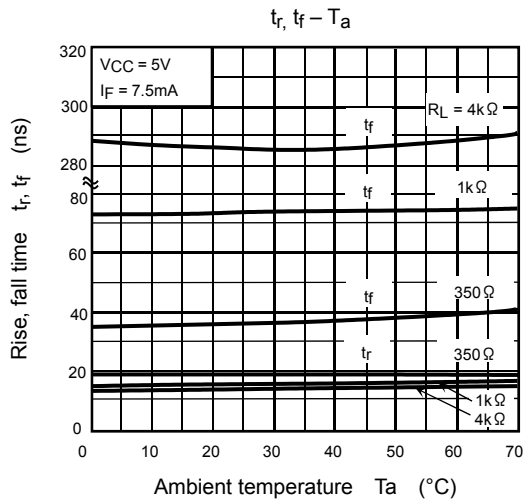
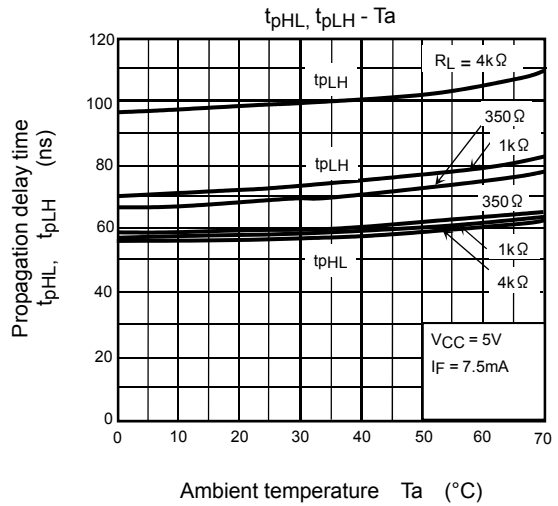
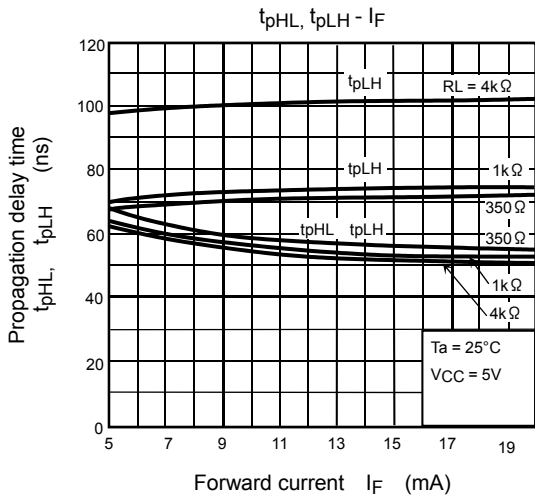
·  $C_L$  is approximately 15pF which includes prove and stray wiring capacitance.

**Test Circuit 3.**

Transient immunity and typical waveforms







## RESTRICTIONS ON PRODUCT USE

- Toshiba Corporation, and its subsidiaries and affiliates (collectively "TOSHIBA"), reserve the right to make changes to the information in this document, and related hardware, software and systems (collectively "Product") without notice.
- This document and any information herein may not be reproduced without prior written permission from TOSHIBA. Even with TOSHIBA's written permission, reproduction is permissible only if reproduction is without alteration/omission.
- Though TOSHIBA works continually to improve Product's quality and reliability, Product can malfunction or fail. Customers are responsible for complying with safety standards and for providing adequate designs and safeguards for their hardware, software and systems which minimize risk and avoid situations in which a malfunction or failure of Product could cause loss of human life, bodily injury or damage to property, including data loss or corruption. Before creating and producing designs and using, customers must also refer to and comply with (a) the latest versions of all relevant TOSHIBA information, including without limitation, this document, the specifications, the data sheets and application notes for Product and the precautions and conditions set forth in the "TOSHIBA Semiconductor Reliability Handbook" and (b) the instructions for the application that Product will be used with or for. Customers are solely responsible for all aspects of their own product design or applications, including but not limited to (a) determining the appropriateness of the use of this Product in such design or applications; (b) evaluating and determining the applicability of any information contained in this document, or in charts, diagrams, programs, algorithms, sample application circuits, or any other referenced documents; and (c) validating all operating parameters for such designs and applications. **TOSHIBA ASSUMES NO LIABILITY FOR CUSTOMERS' PRODUCT DESIGN OR APPLICATIONS.**
- Product is intended for use in general electronics applications (e.g., computers, personal equipment, office equipment, measuring equipment, industrial robots and home electronics appliances) or for specific applications as expressly stated in this document. Product is neither intended nor warranted for use in equipment or systems that require extraordinarily high levels of quality and/or reliability and/or a malfunction or failure of which may cause loss of human life, bodily injury, serious property damage or serious public impact ("Unintended Use"). Unintended Use includes, without limitation, equipment used in nuclear facilities, equipment used in the aerospace industry, medical equipment, equipment used for automobiles, trains, ships and other transportation, traffic signaling equipment, equipment used to control combustions or explosions, safety devices, elevators and escalators, devices related to electric power, and equipment used in finance-related fields. Do not use Product for Unintended Use unless specifically permitted in this document.
- Do not disassemble, analyze, reverse-engineer, alter, modify, translate or copy Product, whether in whole or in part.
- Product shall not be used for or incorporated into any products or systems whose manufacture, use, or sale is prohibited under any applicable laws or regulations.
- The information contained herein is presented only as guidance for Product use. No responsibility is assumed by TOSHIBA for any infringement of patents or any other intellectual property rights of third parties that may result from the use of Product. No license to any intellectual property right is granted by this document, whether express or implied, by estoppel or otherwise.
- **ABSENT A WRITTEN SIGNED AGREEMENT, EXCEPT AS PROVIDED IN THE RELEVANT TERMS AND CONDITIONS OF SALE FOR PRODUCT, AND TO THE MAXIMUM EXTENT ALLOWABLE BY LAW, TOSHIBA (1) ASSUMES NO LIABILITY WHATSOEVER, INCLUDING WITHOUT LIMITATION, INDIRECT, CONSEQUENTIAL, SPECIAL, OR INCIDENTAL DAMAGES OR LOSS, INCLUDING WITHOUT LIMITATION, LOSS OF PROFITS, LOSS OF OPPORTUNITIES, BUSINESS INTERRUPTION AND LOSS OF DATA, AND (2) DISCLAIMS ANY AND ALL EXPRESS OR IMPLIED WARRANTIES AND CONDITIONS RELATED TO SALE, USE OF PRODUCT, OR INFORMATION, INCLUDING WARRANTIES OR CONDITIONS OF MERCHANTABILITY, FITNESS FOR A PARTICULAR PURPOSE, ACCURACY OF INFORMATION, OR NONINFRINGEMENT.**
- GaAs (Gallium Arsenide) is used in Product. GaAs is harmful to humans if consumed or absorbed, whether in the form of dust or vapor. Handle with care and do not break, cut, crush, grind, dissolve chemically or otherwise expose GaAs in Product.
- Do not use or otherwise make available Product or related software or technology for any military purposes, including without limitation, for the design, development, use, stockpiling or manufacturing of nuclear, chemical, or biological weapons or missile technology products (mass destruction weapons). Product and related software and technology may be controlled under the Japanese Foreign Exchange and Foreign Trade Law and the U.S. Export Administration Regulations. Export and re-export of Product or related software or technology are strictly prohibited except in compliance with all applicable export laws and regulations.
- Please contact your TOSHIBA sales representative for details as to environmental matters such as the RoHS compatibility of Product. Please use Product in compliance with all applicable laws and regulations that regulate the inclusion or use of controlled substances, including without limitation, the EU RoHS Directive. TOSHIBA assumes no liability for damages or losses occurring as a result of noncompliance with applicable laws and regulations.